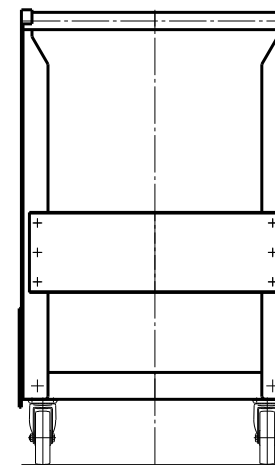
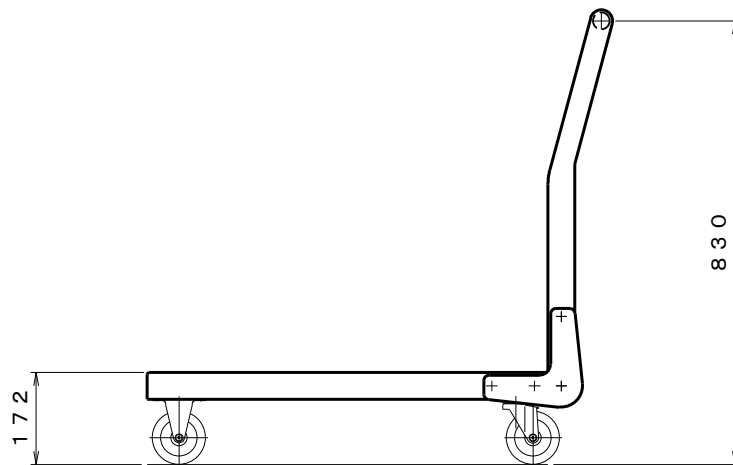
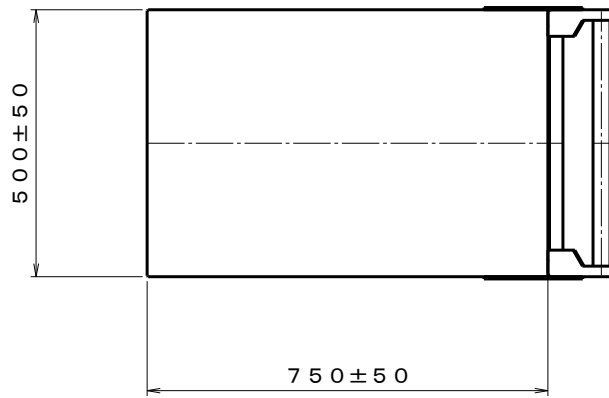


No.	REVISED REASONS	DATE	REVISED BY
△			



3 RD ANGLE PROJECTION			DATE	2013. 08. 21	ORDER	殿
DRAWN BY	DESIGNED BY	CHECKED BY	SCALE	SIZE	TITLE 均等積載荷重 150kg	
T. S			1:10	A3	ステンレス台車	
大田産業株式会社					DWG NO	OTS01-A01 △